

# TY2 BSM C

# TRINITY Tap Range

Trinity 2 Bath Shower  
Mixer Chrome



## Specification

<b>Product Type:</b>	Bathroom Taps
<b>Main Construction Material:</b>	Brass
<b>Mount Type:</b>	Deck
<b>Handle Type:</b>	Traditional
<b>Connection Inlet:</b>	3/4" BSP
<b>Connection Outlet:</b>	G 1/2"
<b>Number of Tap Holes:</b>	2
<b>Valve/Cartridge Type:</b>	3/4" Compression Valve
<b>Plumbing System Requirements:</b>	Suitable for all plumbing systems
<b>Minimum Dynamic Pressure (bar):</b>	0.2 bar
<b>Maximum Dynamic Pressure (bar):</b>	5 bar
<b>Maximum Hot Water Temperature °C:</b>	65°C
<b>Maximum Static Pressure (bar):</b>	10 bar
<b>Flow Type:</b>	Single
<b>Isolation Included:</b>	No

## Features:

- Uniquely designed Timeless detailing for traditional bathrooms.
- Hand-finished handles using precision watchmaker techniques.
- Metal fixing nut for added durability

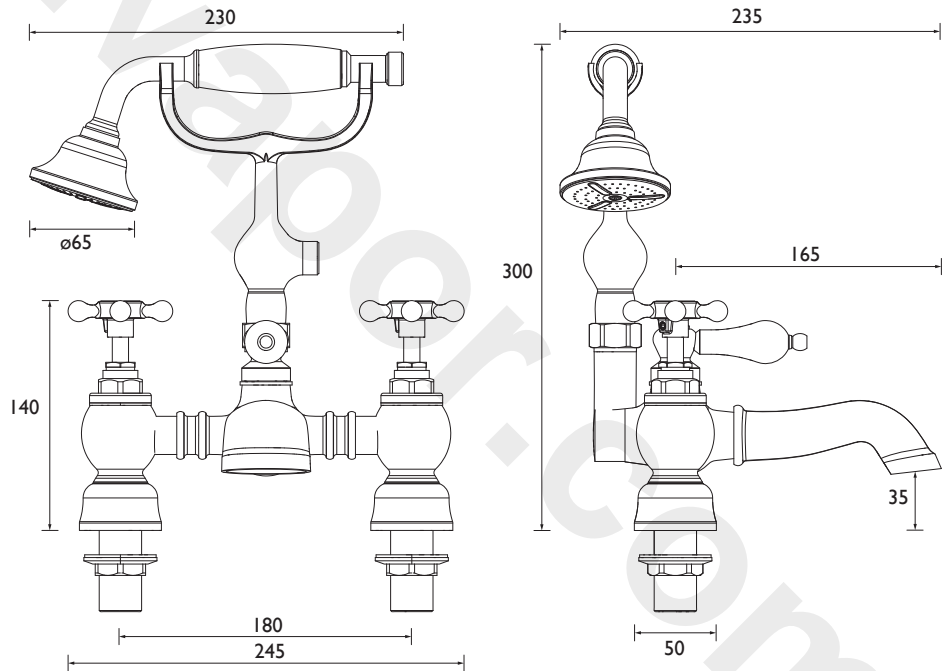
## Product Certifications:



For more products, visit our website:  
<http://www.bristan.com>



## Dimensions (measurements in mm)



## Flow Rates (l/min)

System Pressure (bar)	0.2	0.5	1	2	3	5
Through Bath Filler (mixed)	32	50.6	71.5	101.2	123.9	160
Through Handset (mixed)	4.7	7.4	10.5	14.9	18.2	23.5

TECHNICAL  
DATA  
SHEET



**BRISTAN**

D3